

STEP 1 LOCKS

1" TEST BOX



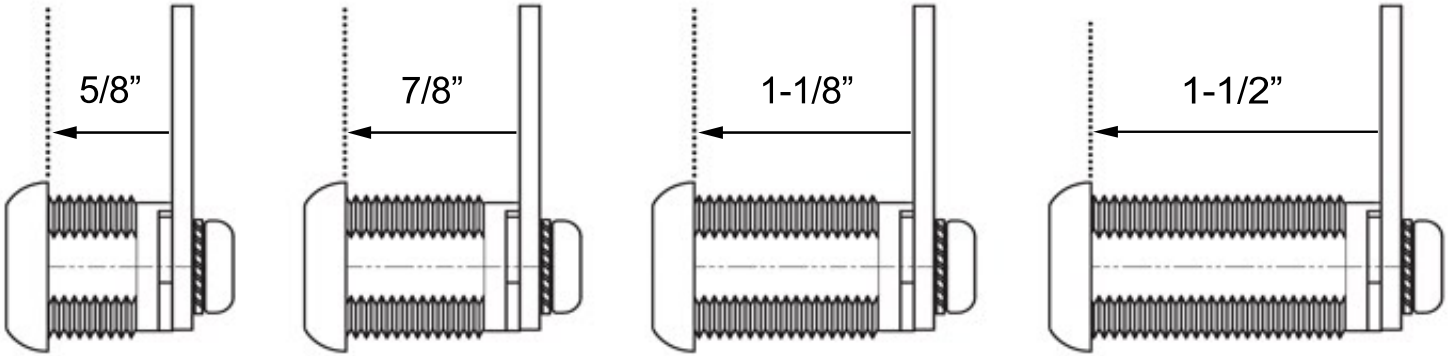
REPLACING YOUR RV LOCKS MADE SIMPLE

CAUTION - Measure the "TEST BOX" on the left side of this page. If it is 1" then this guide printed correctly. If not, please adjust your printer settings, or call us for help.

Determine what size lock you are replacing by

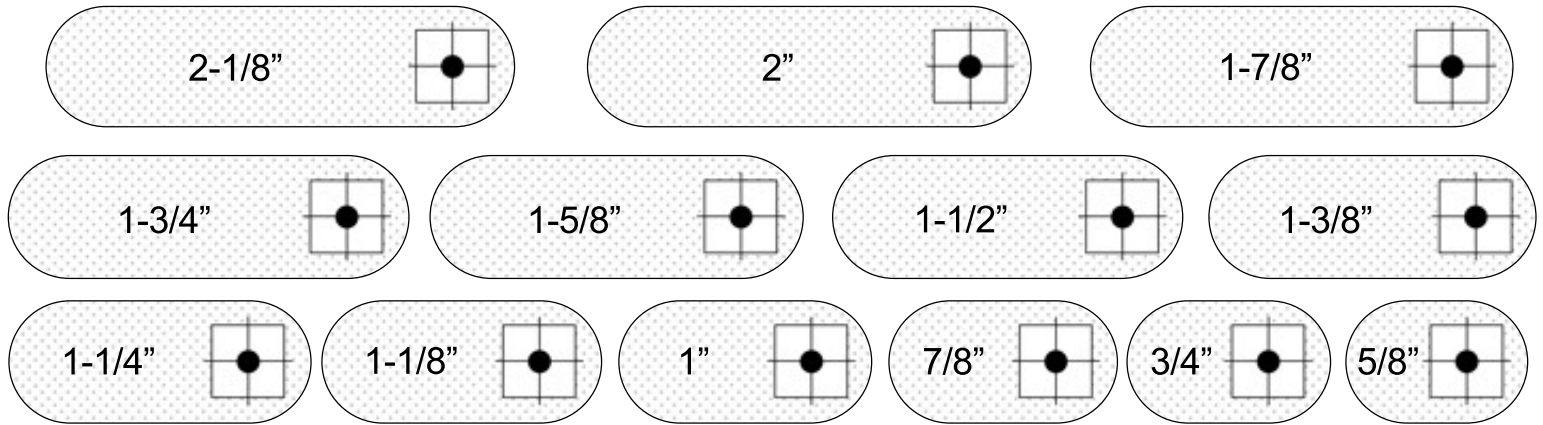
Placing your current lock on the image below.

If your lock is a different size, please call us, we might still be able to help you.



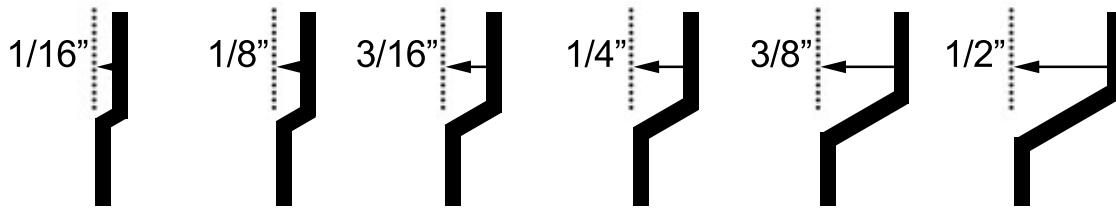
STEP 2 CAMS

Determine what size cam (locking arm) you need by placing your cam on an image below. Be sure to align the square hole of your cam with the one on the image. **You can also measure manually using a ruler and measuring from the center hole of your cam to the longest end.**



STEP 3 BENDS

Some cams (locking arms) have an offset (bend), please determine what size bend you have by placing your current cam on its side and laying it on top of one of the images below. **The angle of the bend does not matter, as long as the top and bottom portions of the cam align you're okay.**



If you have a bend that is larger than 1/2" please call our office for further assistance.

ORDERING INFORMATION

Name:

Address:

City: State: Zip:

Phone: Email:

Credit card #:

Name on card: Exp: Cvc:

Qty	Lock Size	Cam Size	Bend Size	Total Amount

All locks are keyed the same with 2-4 keys per order.

SUB TOTAL

Please use any of the following ways to get your order to us:

Mail: 40222B La Quinta Lane * Suite 101 * Palmdale Ca 93551
 Fax: (661) 224-1011 Phone: (661) 224-1010
 Email: sales@iss4locks.com Online: www.shoprvlocks.com

Text: (661) 240-9391

9% TAX CALIFORNIA ONLY

SHIPPING / HANDLING

TOTAL